

Please read instructions completely before beginning installation.
Save these instructions for future reference.

Important Safety Instructions

This product has a polarized plug (one blade is wider than the other) as a feature to reduce the risk of electric shock. This plug will fit in a polarized outlet only one way. If the plug does not fit fully in the outlet, reverse the plug. If it still does not fit, contact a qualified electrician. Never use with an extension cord unless plug can be fully inserted. Do not alter the plug.

NOTE: Single puck light kits are not extendable. A single puck kit contains a puck light with only a lead wire and therefore it cannot be used to extend other kits (to create a series of pucks powered by one power cord).

Installation:

- Preparation**
- Always consult a qualified electrician
 - Shut down power. Ensure that power is disconnected / disable

Caution:

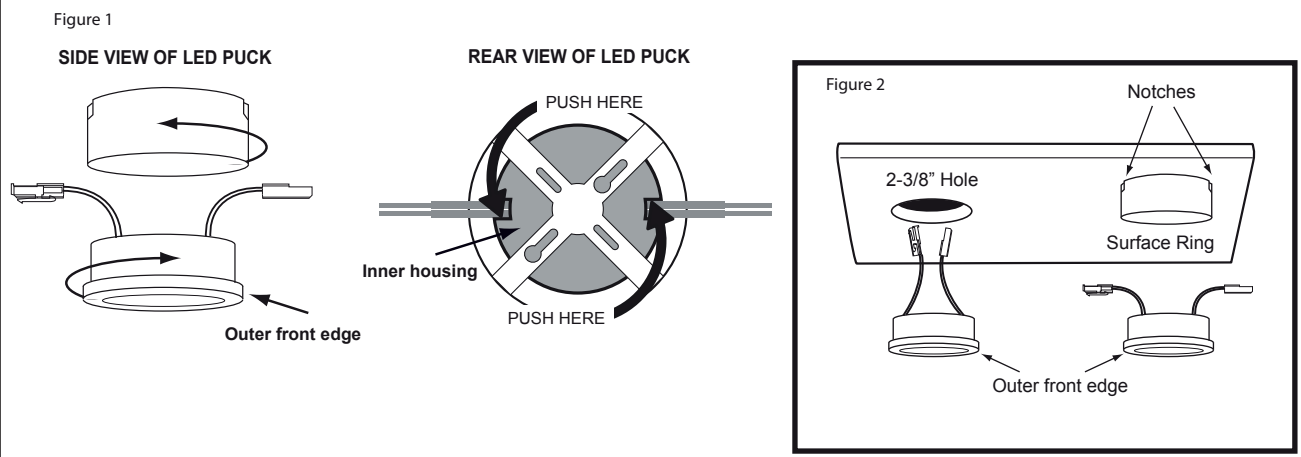
- To reduce the risk of fire, electric shock, or injury:
- Disconnect power to the unit prior to installation.
 - Use only insulated staples or plastic ties to secure cords.
 - Route and secure cords so that they will not be pinched or damaged when the cabinet is pushed to the wall.
 - Not intended for recessed installation in ceilings or soffits.
 - Not intended for surface installation in enclosed cabinetry.
 - The National Electrical Code (NEC) does not permit cords to be concealed where damage to insulation may go unnoticed. To prevent fire, do not run cord where it may be inaccessible for examination.
 - Cords should be inspected periodically for wear or damage.
 - Do not look directly at the lighted LED.
 - Do not operate lamp with a missing or damaged lens.
 - The LED lamps inside the fixture are not replaceable.

LINKING SYSTEM

Two 3-pack kits can be recombined to create one series of five puck lights and a separate single puck light set. Note: 12" extensions (included with each kit) are required between pucks but are not shown.

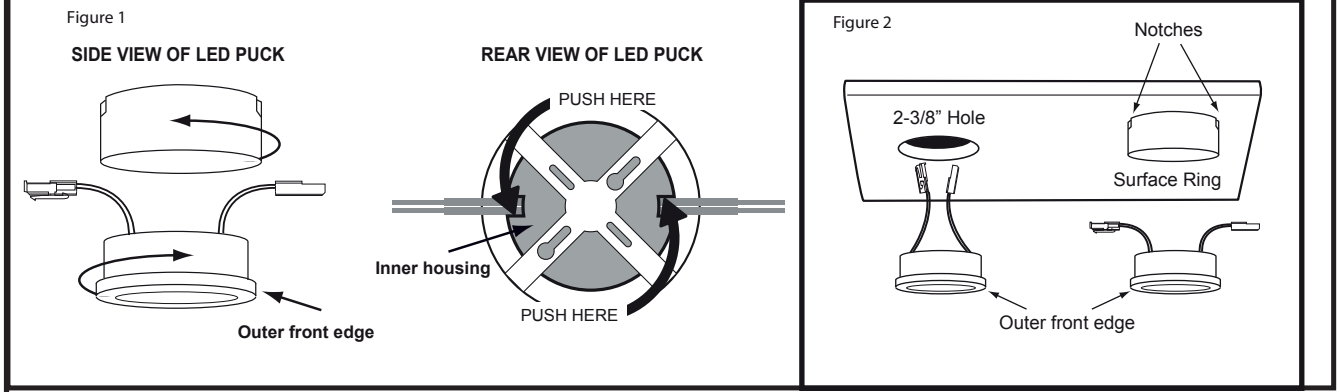
RECESSED MOUNTING:

- CAUTION!** Risk of fire! Install as recessed only where the top of the cabinet is not enclosed.
1. Remove the surface ring by holding the front outer edge of the puck and turning the surface ring counter-clockwise while turning the surface ring slightly clockwise. See Figure 1 (side view). If turning is difficult, separate the parts by rotating the inner housing counter-clockwise at the points shown below and pushing the inner housing through surface ring.
 2. Drill a 2-3/8" hole in the desired location. See Figure 2.
 3. Feed wires through the hole and push the light housing into hole. Side tension tabs will hold the puck light in place. Make sure there is no contact between the lamp, lampholder, or reflector, and the wire or any combustible material such as plastic or paper goods. Using the cord clips included, secure the light supply leads to avoid the likelihood of the leads contacting the cabinet light.
 4. Route the power cord to the nearest convenience outlet.
- CAUTION:** Do not route the wires and/or extension cords through any walls. Use for external cabinet applications only.
5. Not intended for permanent hardwire installation inside built-in furnishings such as kitchen cabinets or trophy cases.
 6. Do not conceal the power supply cord inside any walls, ceilings, or floors.
 7. Multiple pucks can be linked together with 12" extensions (included with 3-pack puck light sets)
 8. Use the puck light with no tail wire as the last puck in the series.



SURFACE MOUNTING

1. Remove the surface ring by holding the front outer edge of the puck and turning the surface ring counter-clockwise while turning the surface ring slightly clockwise. See Figure 1 (side view). If turning is difficult, separate the parts by rotating the inner housing counter-clockwise at the points shown below and pushing the inner housing through surface ring.
2. Route the connecting wires through the surface ring notch, or if desired, drill a hole through the mounting surface and route the wires through the hole. Position the surface ring so the notches align side to side when installing multiple pucks in a single run. See notches in Figure 2.
3. Make sure there is no contact between the hot lamp, lampholder, or reflector, and any combustible material such as plastic or paper goods, or the wire insulation.
4. Mount surface ring using wood screws provided. For mounting onto surfaces other than wood, use suitable fasteners (not included).
5. Feed connecting wires through slots in the surface ring. Connect extensions between multiple pucks. Do not route wires and extension cords through walls. Use for external cabinet applications only.
6. Route the power cord to the nearest convenience outlet. Do not conceal the power supply cord inside walls, ceilings, or floors.
7. Multiple pucks (from 3-pack kits only) can be linked together with 12" extensions (included with kits).
8. Use the puck light with no tail wire as the last puck in the series.



QUESTIONS?
 E: info@nadair.com
 Tél: 1 (800) 776-7891
 www.nadair.com